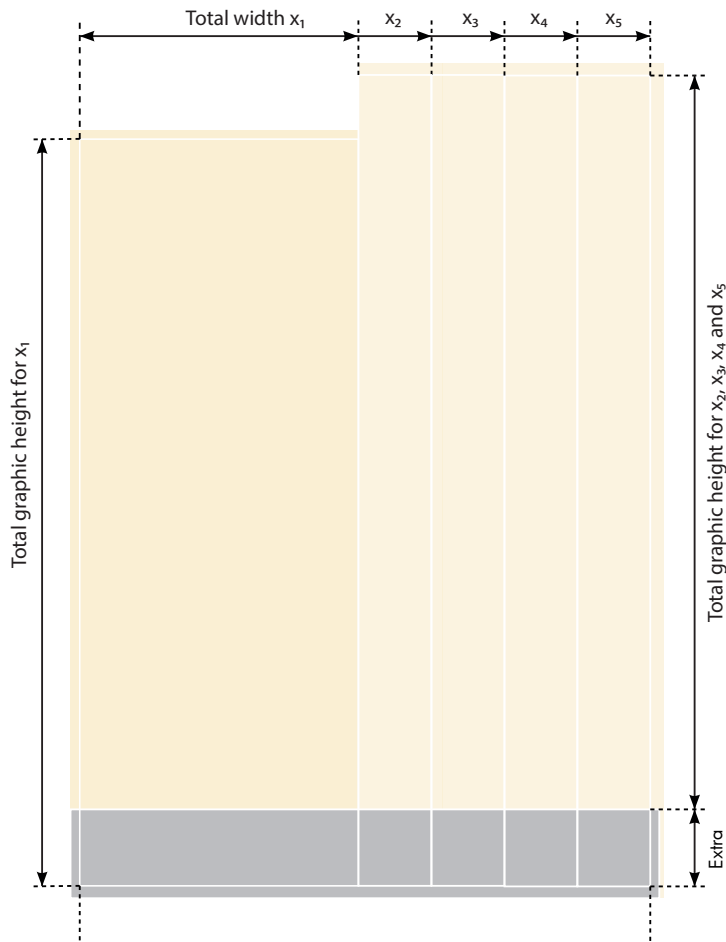


Roll Up Penta



Dimensions

Total graphic width:

x1: 60 cm / 23.6220"

x2: 85 cm / 33.4646"

x3: 100 cm / 39.3701"

x4: 125 cm / 49.2126"

x5: 150 cm / 59.0551"

Total graphic height (telescopic pole):

x1:

165 - 205 cm / 64.9606 - 80.7087"

x2, x3, x4, x5:

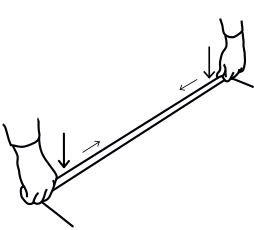
160 - 225 cm / 62.9921 - 88.5827"

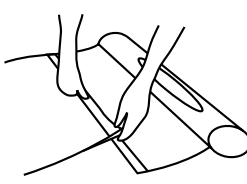
Extra, not visual:

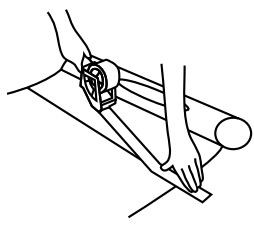
20 cm / 7.8740"

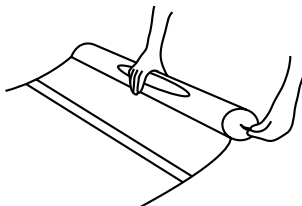
Mounting

Clamp profile.

1. 

Open and insert the graphics into slot of the top profile. Secure it by closing the profile. Make sure to apply enough pressure to assure secure mounting.
2. 

Remove the protective liner of the semi permanent tape. Mount the image with the picture facing up. To assure the best result, please follow the line carefully
3. 

Important! Apply thin packing tape over the joint.
4. 

With one hand firmly holding the image, remove the locking pin with the other. Please note that the product is now activated and should therefore be handled with care.